

TECHNICAL DATA SHEET



REGENCY

Bidet Mixer with Pop-Up Waste

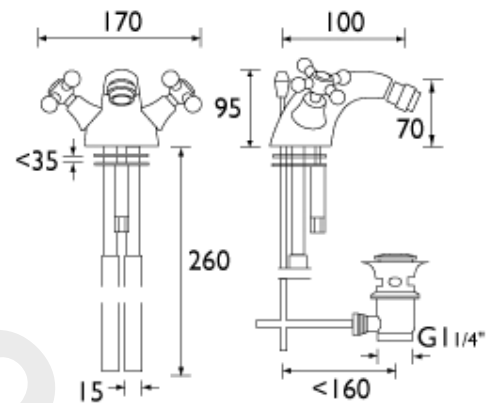
Product Specification

Product Codes & Finishes: R BID C (Chrome)
 R BID G (Vintage Gold)
Product Type: Traditional
Construction: Body is of brass construction and is designed to conform to BS EN 200
Valve Type: ½" Standard Valves
Supply: Suitable for all plumbing systems
Inlet Connections: M12 x 15mm Screw-in Copper Pipes
Working Pressures: Min 0.2bar, Max 8.0bar



Additional Information

- Chrome plated to BS EN 248.
- Includes Pop-Up Waste



Flow Rates (litres per minute)

System Pressure	0.2bar	0.5bar	1bar	2bar	3bar	5bar
R BID C/G	10.2	16.8	23.9	34	42.2	53.1



Technical Advice: For further information please call 0844 7016273 or email customercare@bristan.com

Guarantee: 5 years covering manufacturing faults.

Bristan, Birch Coppice Business Park, Dordon, Tamworth, B78 1SG
 Telephone: 0844 701 6274 Facsimile: 0844 701 6275
 Web Site: www.bristan.com Email: enquire@bristan.com



The information contained on this page was correct at date of issue. Fitting dimensions are provided as a guide only. Some variation may occur due to manufacturing tolerances. Bristan pursues a policy of continuing improvement in design and performance of its products and so reserves the right to change specifications without prior notice.